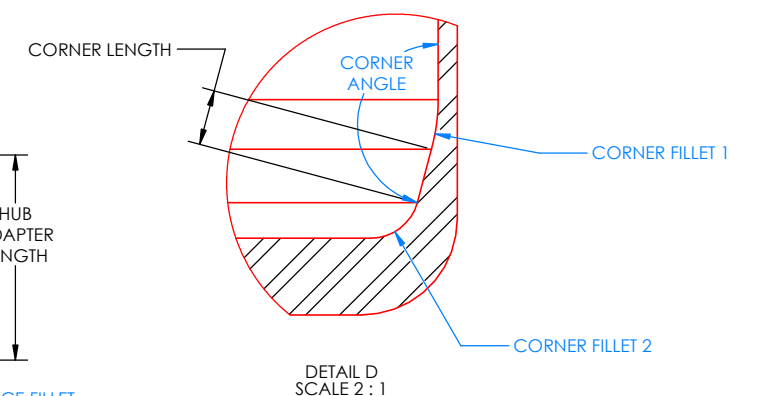
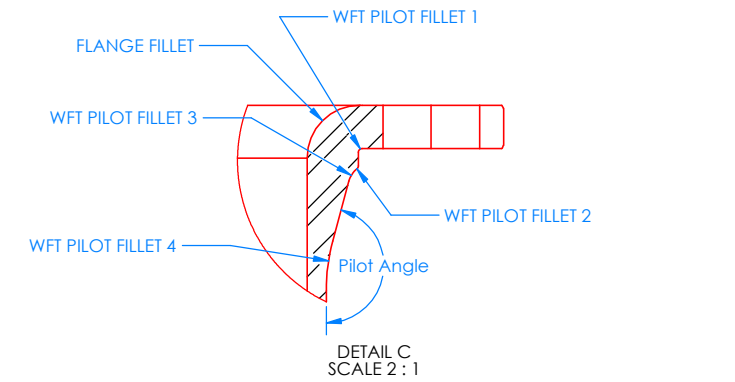
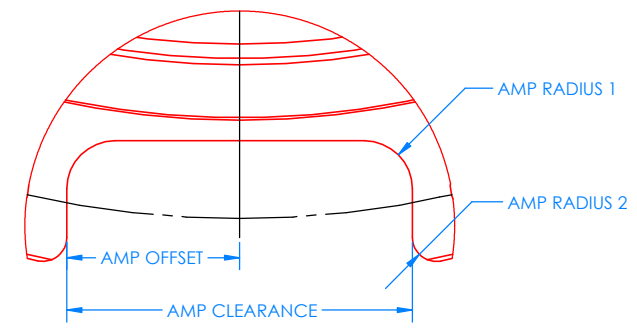
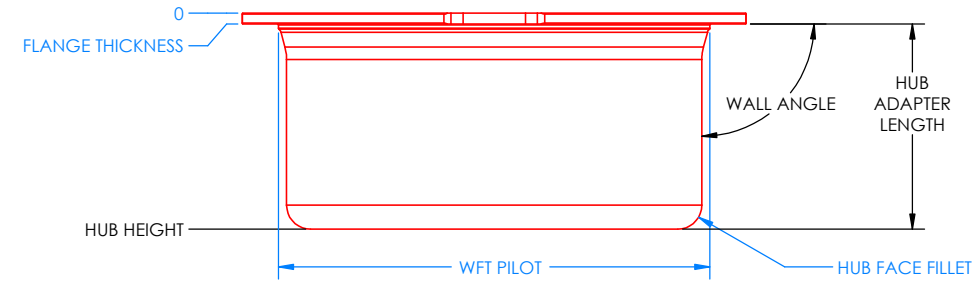
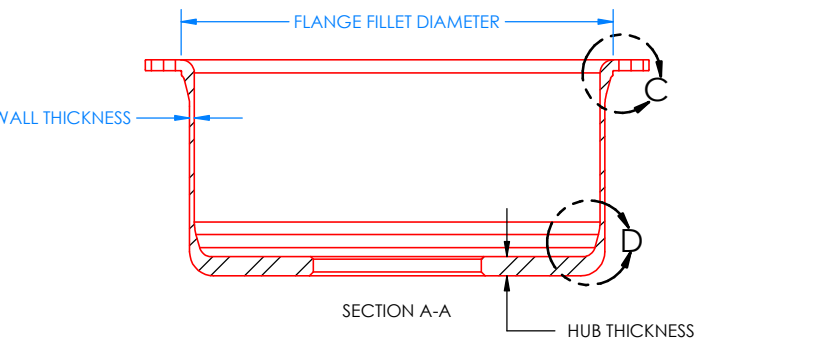
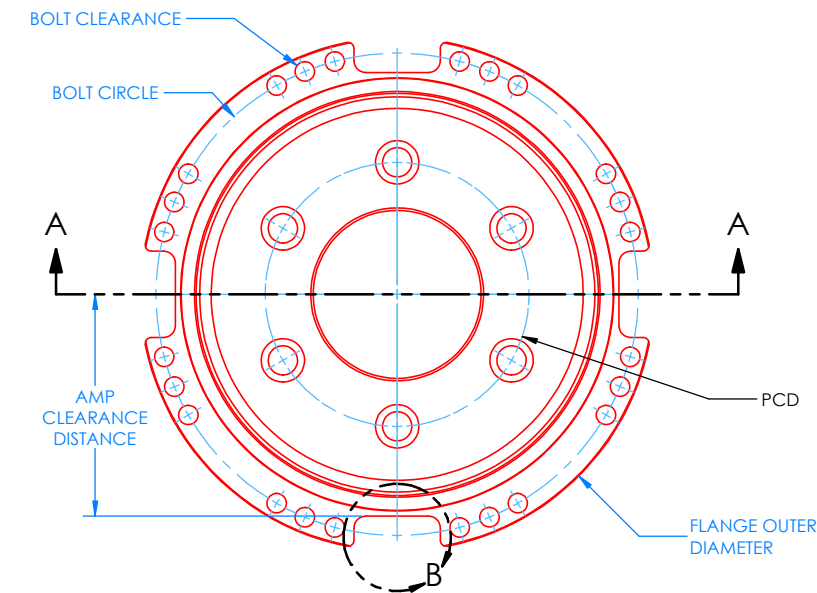
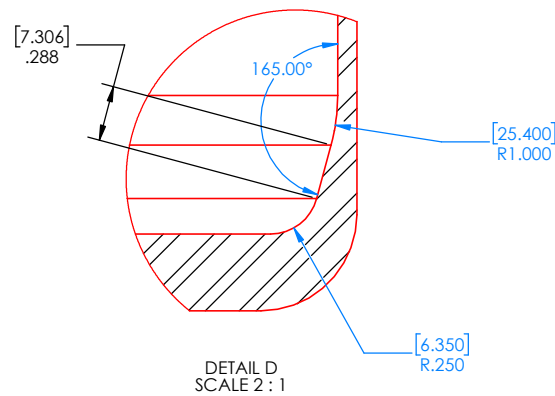
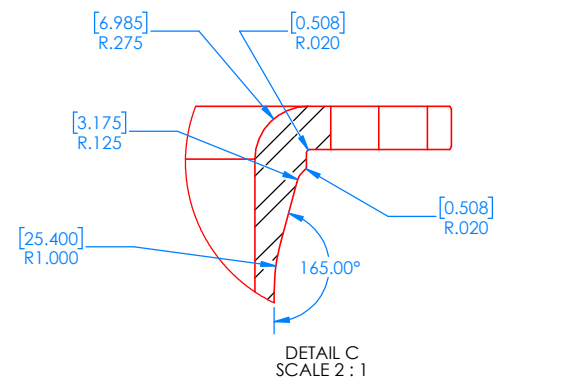
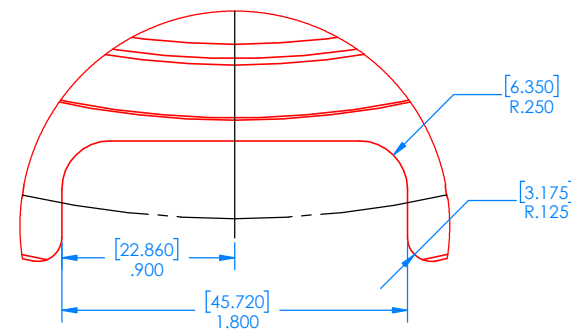
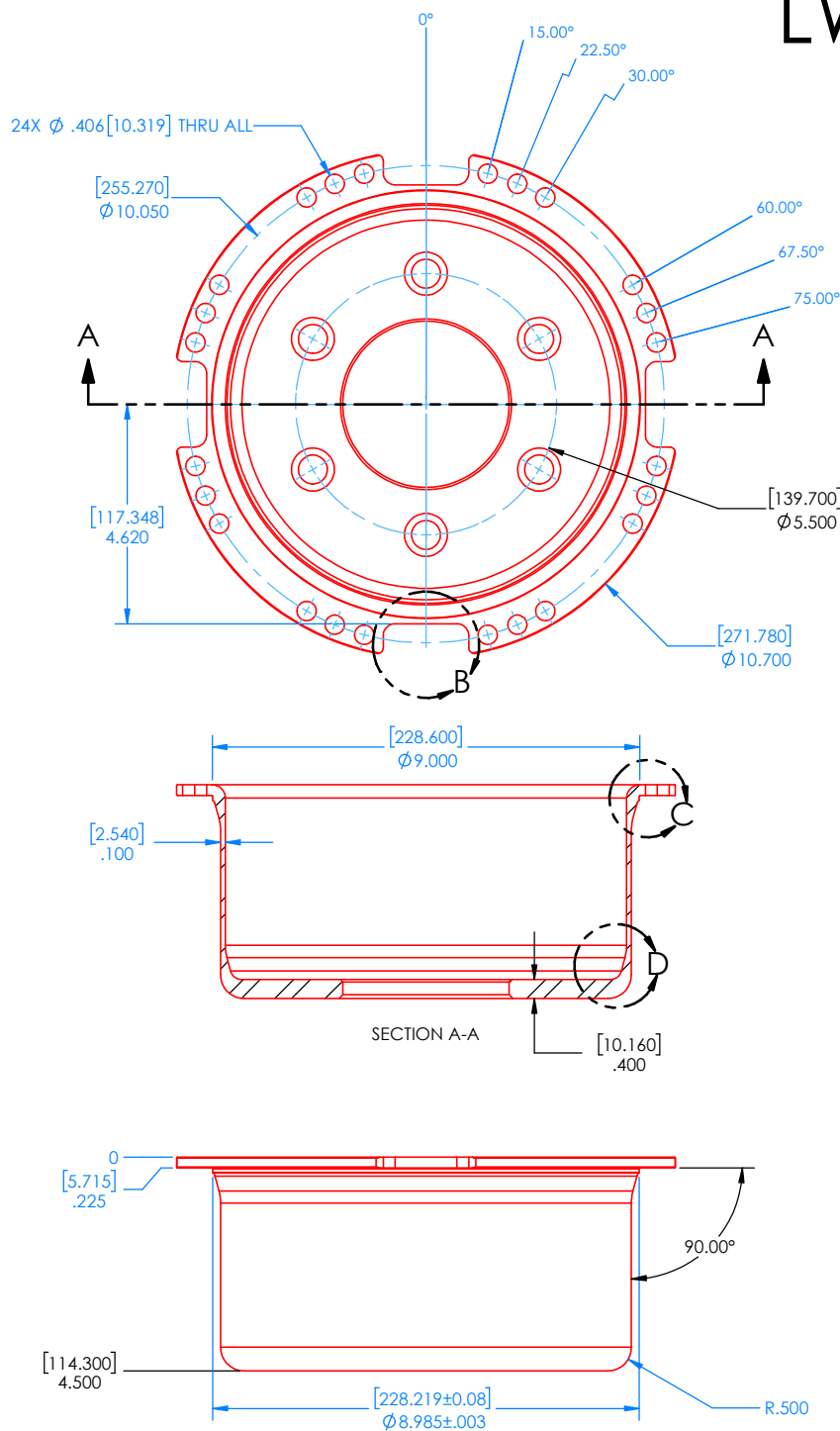


LW60 & LW65 Hub Adapter Design Guide

Note: Blue dimension are CRITICAL and CANNOT change. Black dimensions can change.



It is essential that the adapters match the recommended guidelines. This will ensure the system can withstand the rated loads and provide the most accurate results. The critical features are shown in blue. Customers may change all other geometry. Examples of permitted changes are shown on the second sheet.

The "HUB THICKNESS" should not be less than 0.400 in (10.160 mm).

Detail D shows geometry that reduces the material stresses to increase the adapter fatigue life.

Michigan Scientific Corporation (MSC) machines hub adapters from 17-4 H1100 stainless steel. This material provides good insulation from brake heat. Alloy steels can be used but they will conduct brake heat more than the stainless steel. The material should have a yield strength of at least 890 MPa (130 ksi) and a hardness between 32 and 45 HRC.

MSC verifies all rim and hub adapter assemblies using FEA to simulate the SAE J328 wheel durability standard. This should be done with all adapter systems to verify the load ratings and fatigue life of the adapters. The LW65 has an SAE J328 static load rating of 2,900 lb (1,320 kg.) The LW60 is rated to 2,700 lb (1,225 kg.) This should never be exceeded.

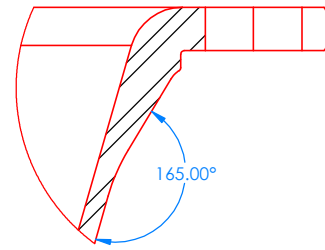
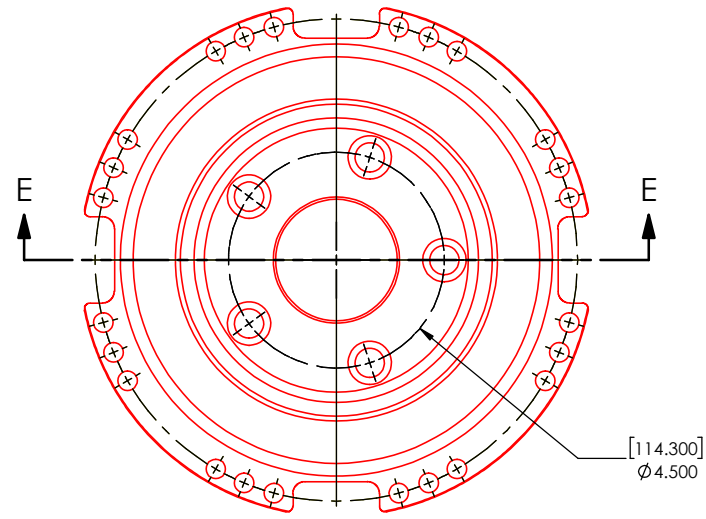
MSC can check your adapter designs at no cost. Contact MSC online at michsci.com/contact-us or via phone at 1-231-547-5511.

Details and specifications provided in this document are purely for informational purposes and are subject to alterations. No liability is accepted for errors or omissions. ©2022 Michigan Scientific Corporation

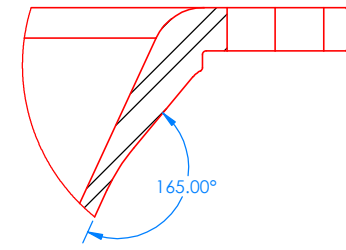
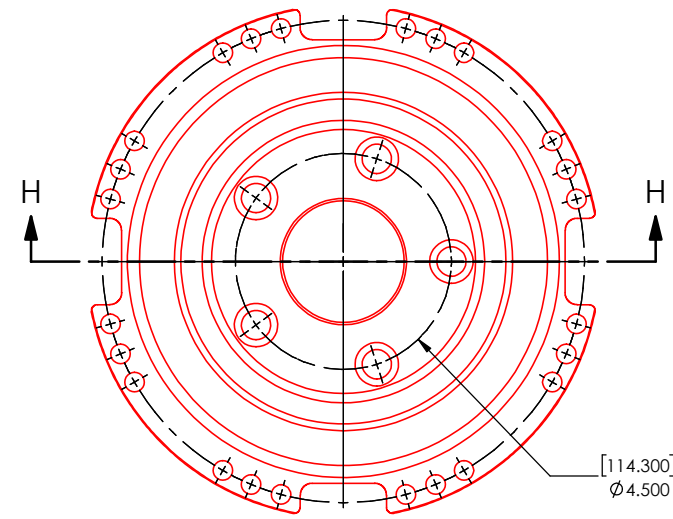
UNLESS OTHERWISE SPECIFIED: DIMENSIONS ARE IN INCHES TOLERANCES: XXX ±.005 XX ±.005 X ±.01 FRACTIONAL: BEND R		DATE: 09/10/20 DRAWN: JPB CHECKED: 03/08/22 ENG APPR: JPB MFG APPR: 03/08/22	NAME: JPB	MICHIGAN SCIENTIFIC CORPORATION 8500 ANCE ROAD CHARLEVOIX, MICHIGAN 49720 www.michsci.com
MATERIAL: 17-4 H1100 FINISH:		PRODUCT LINE: LW60 & LW65 CUSTOMER CODE: PROJECT CODE:	DESCRIPTION:	SCALE: 1:2
PROPRIETARY AND CONFIDENTIAL THE INFORMATION CONTAINED IN THIS DRAWING IS THE SOLE PROPERTY OF MICHIGAN SCIENTIFIC CORPORATION. ANY REPRODUCTION IN PART OR AS A WHOLE WITHOUT THE WRITTEN PERMISSION OF MICHIGAN SCIENTIFIC CORPORATION IS PROHIBITED.		SIZE: D DWG. NO.: LW60 & LW65 Hub Adapter Design Guide	REV: A	SHEET 1 OF 2

LW60 & LW65 Hub Adapter Design Guide

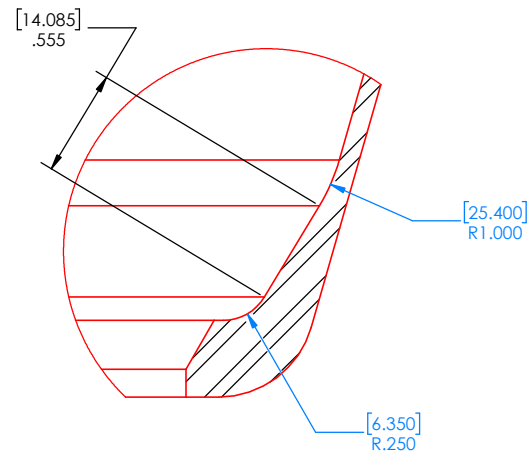
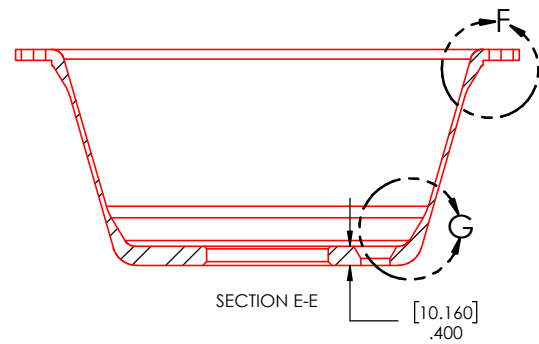
Note: Blue dimension are CRITICAL and CANNOT change. Black dimensions can change.



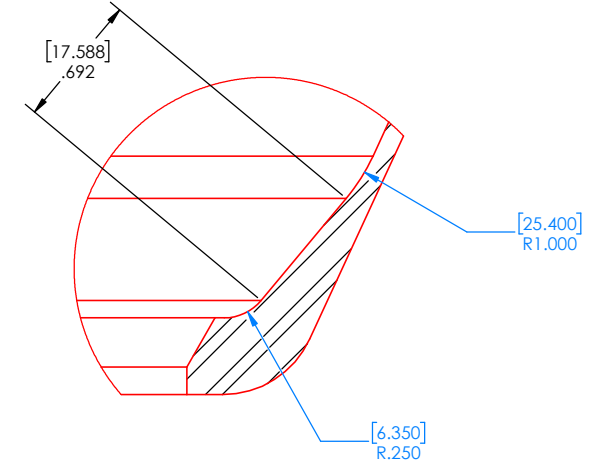
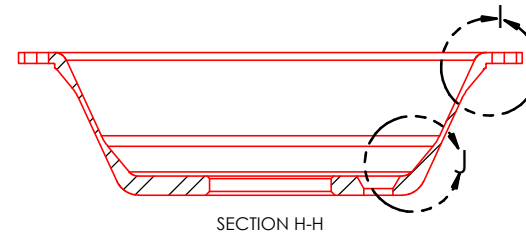
DETAIL F
SCALE 2 : 1



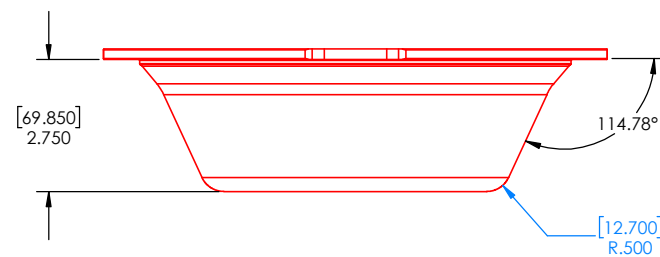
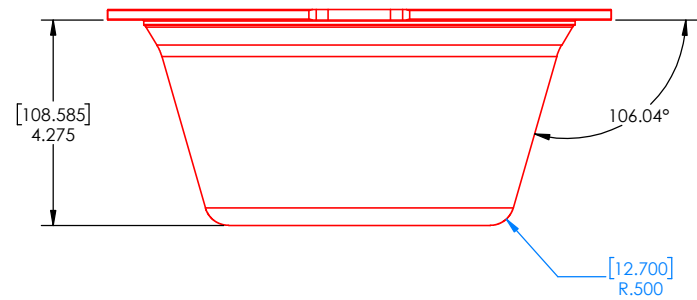
DETAIL I
SCALE 2 : 1



DETAIL G
SCALE 2 : 1



DETAIL J
SCALE 2 : 1



It is essential that the adapters match the recommended guidelines. This will ensure the system can withstand the rated loads and provide the most accurate results. The critical features are shown in blue. Customers may change all other geometry. Examples of permitted changes are shown above.

Details and specifications provided in this document are purely for informational purposes and are subject to alterations. No liability is accepted for errors or omissions. ©2022 Michigan Scientific Corporation

UNLESS OTHERWISE SPECIFIED: DIMENSIONS ARE IN INCHES		DATE	NAME	MICHIGAN SCIENTIFIC CORPORATION 8500 ANCE ROAD CHARLEVOIX, MICHIGAN 49720 www.michsci.com
TOLERANCES:	DRAWN	09/10/20	JPB	
XXX ±.0010	CHECKED	03/08/22	JPB	
XXX ±.005	ENG APPR	03/08/22	JPB	
XX ±.01	MFG APPR	03/08/22	JPB	PRODUCT LINE LW60 & LW65
FRAC TIONAL				CUSTOMER CODE
ANGULAR: MACH				PROJECT CODE
REPO				DESCRIPTION
WEIGHT				SIZE
17.27				DWG. NO.
MATERIAL				LW60 & LW65 Hub
17-4 H1100				Adapter Design Guide
FINISH				SCALE: 1:2
				SHEET 2 OF 2
				REV
				A